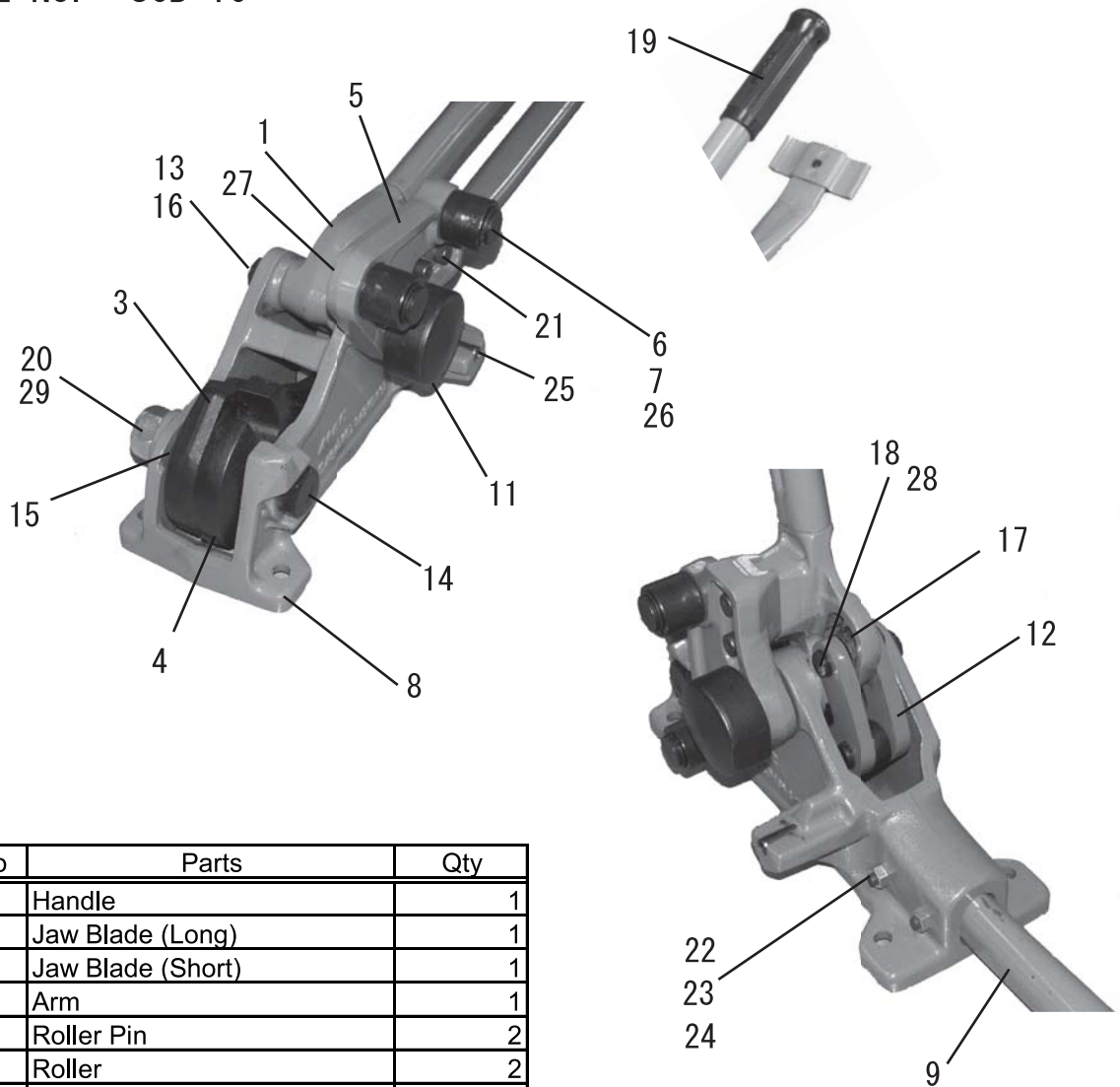


RE-BAR CUTTER WITH BENDER  
 MODLE NO. : SCB-16



No	Parts	Qty
1	Handle	1
3	Jaw Blade (Long)	1
4	Jaw Blade (Short)	1
5	Arm	1
6	Roller Pin	2
7	Roller	2
8	Frame	1
9	Base Handle	1
11	Handle Bolt	1
12	Link	2
13	Lock Nut (M15)	1
14	Jaw Bolt	1
15	Half-Circle Nut	1
16	Washer	1
17	Collar	1
18	Link Pin	3
19	Grip	1
20	Hex Nut (M20)	1
21	Cap Screw (M8*25)	2
22	Cap Screw (M8*45)	2
23	Hex Nut (M8)	2
24	Spring Washer (#8)	2
25	Spring Pin (D10*30)	1
26	Retaining C-Ring (#22)	2
27	Retaining C-Ring (#20)	2
28	Retaining C-Ring (#15)	6
29	Tooth Lock Washer (#20)	1