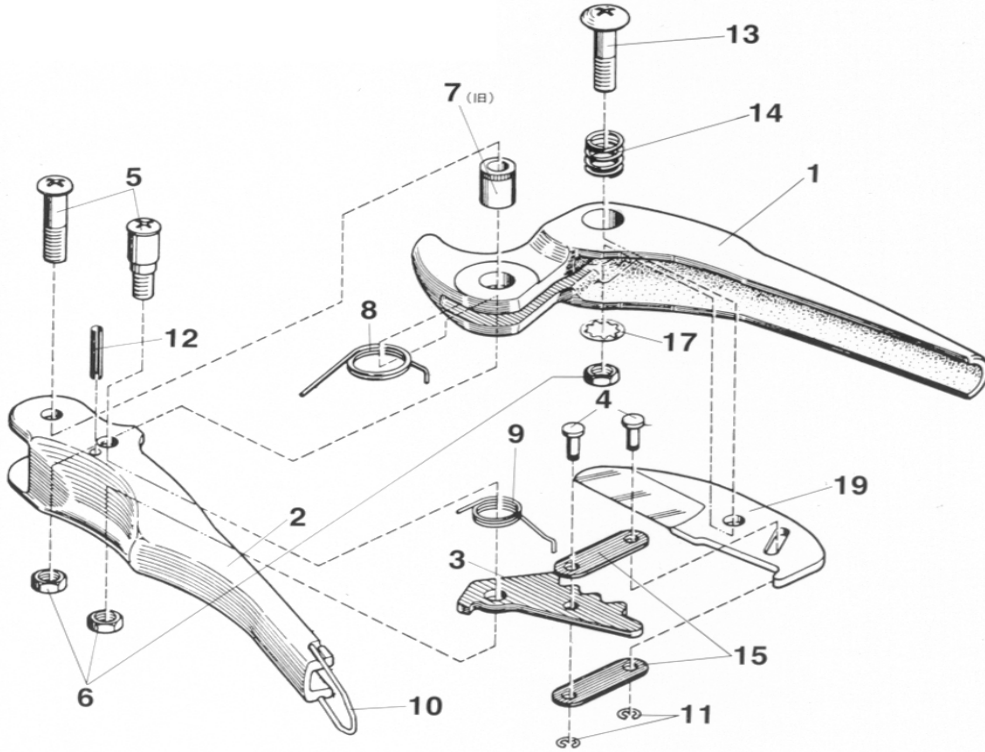


PVC PIPE CUTTER
 VC-0220-(VC-26)



No.	Part Name
1	Handle (Right)
2	Handle (Left)
3	Ratchet Lever
4	Pin
5	Bolt
6	Lock Nut
7	Bush
8	Spring (L)
9	Spring (S)
10	Hook
11	E - Ring
12	Spring Pin
13	Bolt for Blade
14	Coil Spring
15	Link
17	Tooth Lock Washer
19	Blade